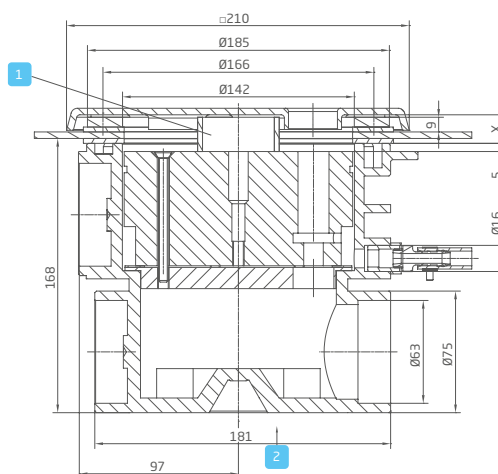
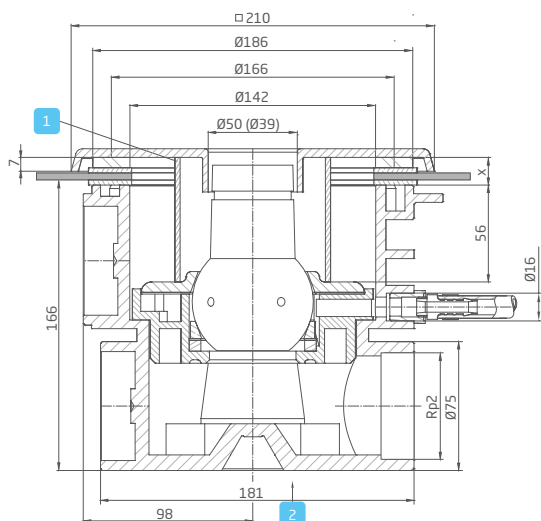




Dimensions Version I/II

Version III, wall nozzle only



- 1** Supporting pipe included in delivery - to be shortened by the user.
l = 56 + X; d = 90 mm.
- 2** Connection from below is available. Please state when ordering.

- 1** Supporting pipe included in delivery - to be shortened by the user.
l = 4 + X; d = 50 mm.
- 2** Connection from below is available. Please state when ordering.

Measurements in brackets for version II.

Dimensions Suction housing

Detailed dimensions available on request or at badu.de

